

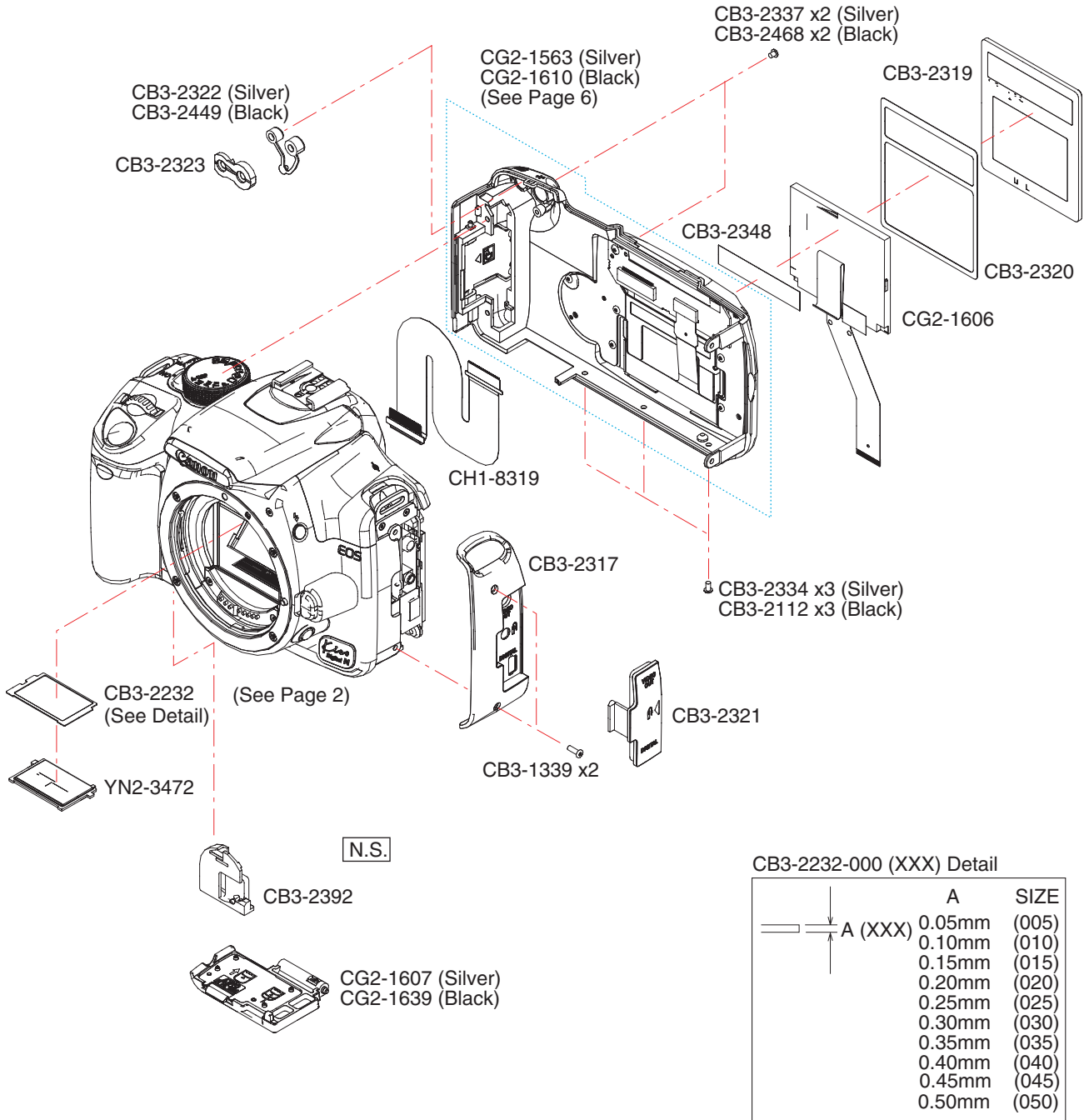


EOS KISS DIGITAL N (SILVER)	REF.NO. C12-6071
EOS KISS DIGITAL N (BLACK)	C12-6072
EOS DIGITAL REBEL XT (SILVER)	C12-6073
EOS DIGITAL REBEL XT (BLACK)	C12-6074
EOS 350D DIGITAL (SILVER)	C12-6075
EOS 350D DIGITAL (BLACK)	C12-6076

PARTS CATALOG

CANON DIGITAL CAMERA EOS KISS DIGITAL N (SILVER)
 EOS KISS DIGITAL N (BLACK)
 EOS DIGITAL REBEL XT (SILVER)
 EOS DIGITAL REBEL XT (BLACK)
 EOS 350D DIGITAL (SILVER)
 EOS 350D DIGITAL (BLACK)

REF. NO. C12-6071
 C12-6072
 C12-6073
 C12-6074
 C12-6075
 C12-6076



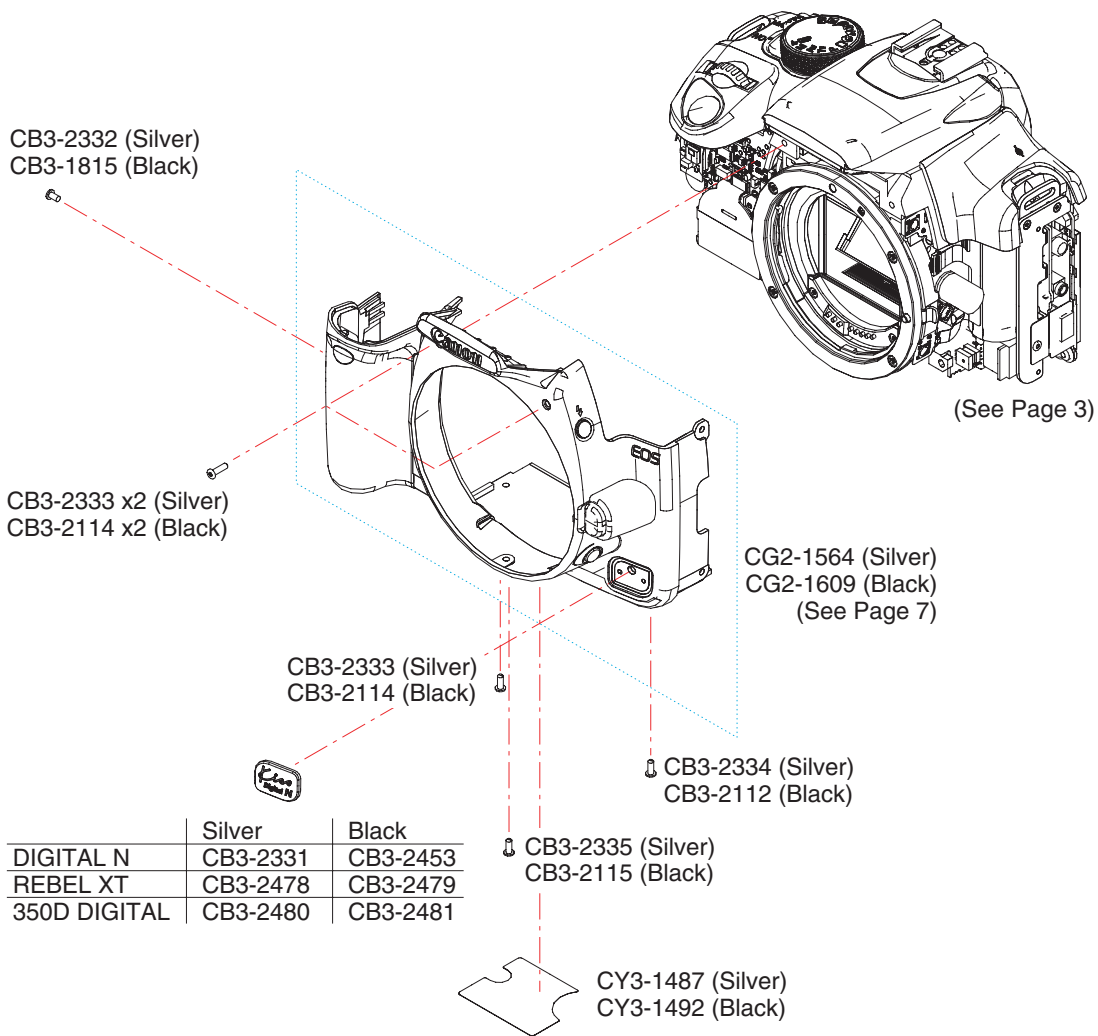
PARTS LIST

REF.NO. C12-6071, 2, 3, 4, 5, 6

NEW	PARTS No.	CLASS	QTY	DESCRIPTION
*	CB3-1339-000 000	C	2	SCREW
	CB3-2112-000 000	F	3	SCREW
*	CB3-2232-000 (XXX)	C	1	PLATE, FINDER FOCUS
*	CB3-2317-000 000	C	1	COVER, SIDE
*	CB3-2319-000 000	A	1	WINDOW, TFT DISPLAY
* *	CB3-2320-000 000 CB3-2321-000 000	A C	1 1	TAPE, TFT WINDOW CAP, INTERFACE
*	CB3-2322-000 000	C	1	BUTTON, AE/FP SELECT, S
*	CB3-2323-000 000	C	1	COVER, AE/FP SELECT BUTTON
*	CB3-2334-000 000	C	3	SCREW
* *	CB3-2337-000 000 CB3-2348-000 000	C C	2 1	SCREW, SILVER TAPE, TFT GROUNDING
*	CB3-2392-000 000	C	1	CASE, BATTERY
*	CB3-2449-000 000	C	1	BUTTON, AE/FP SELECT
*	CB3-2468-000 000	C	2	SCREW
* * * * *	CG2-1563-000 000 CG2-1606-000 000 CG2-1607-000 000 CG2-1610-000 000 CG2-1639-000 000	B B B B B	1 1 1 1 1	COVER ASS'Y, BACK, S LCD ASS'Y, TFT COVER ASS'Y, BATTERY, S COVER ASS'Y, BACK COVER ASS'Y, BATTERY
*	CH1-8319-000 000	C	1	FPC, B-M CONNECT
*	YN2-3472-000 000	B	1	PLATE, FOCUSING SCREEN

CANON DIGITAL CAMERA EOS KISS DIGITAL N (SILVER)
 EOS KISS DIGITAL N (BLACK)
 EOS DIGITAL REBEL XT (SILVER)
 EOS DIGITAL REBEL XT (BLACK)
 EOS 350D DIGITAL (SILVER)
 EOS 350D DIGITAL (BLACK)

REF. NO. C12-6071
 C12-6072
 C12-6073
 C12-6074
 C12-6075
 C12-6076



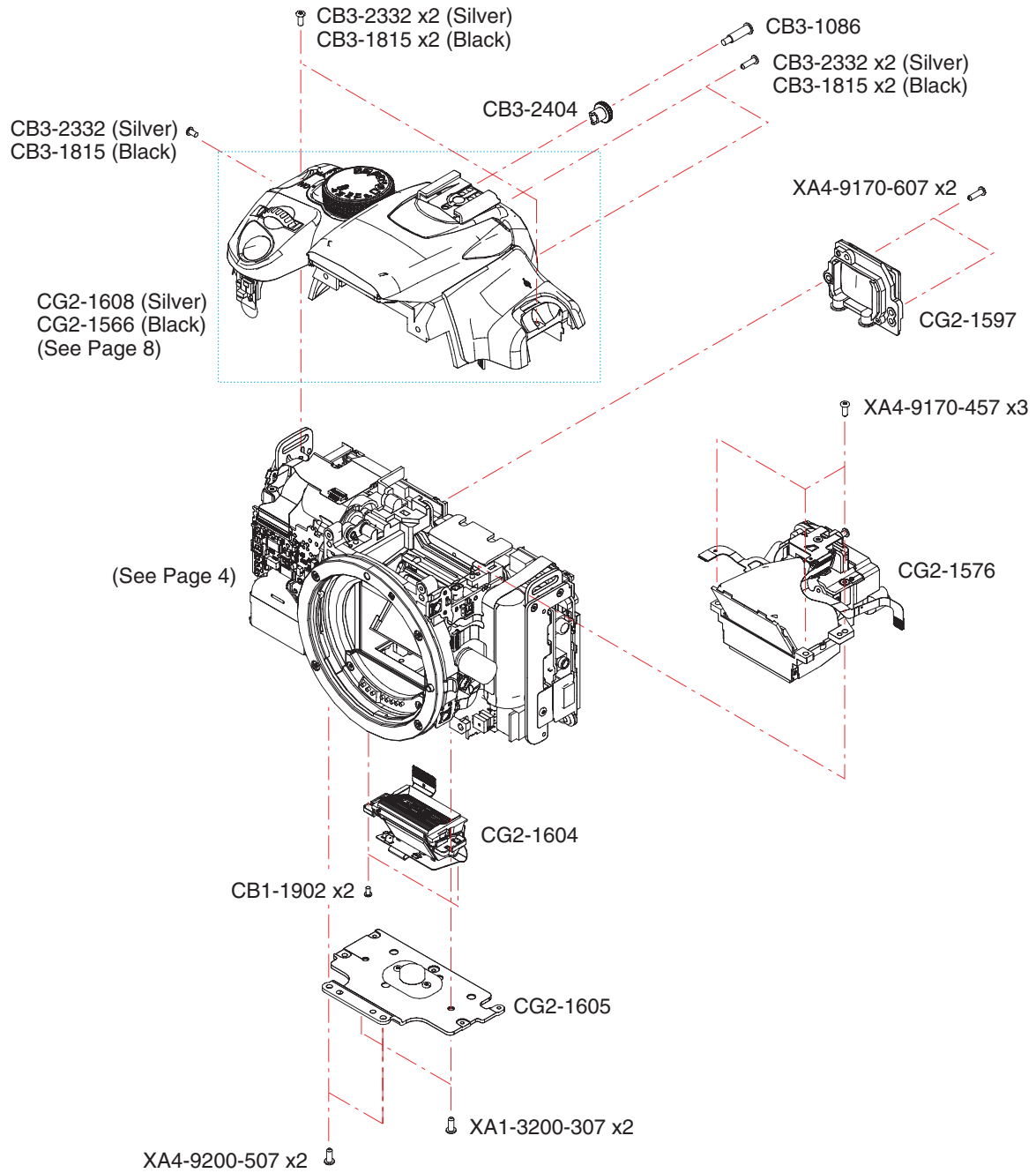
PARTS LIST

REF.NO. C12-6071, 2, 3, 4, 5, 6

NEW	PARTS No.	CLASS	QTY	DESCRIPTION
	CB3-1815-000 000	F	1	SCREW
	CB3-2112-000 000	F	1	SCREW
	CB3-2114-000 000	F	3	SCREW
	CB3-2115-000 000	F	1	SCREW
*	CB3-2331-000 000	C	1	PLATE, MODEL NAME (JPN), S
*	CB3-2332-000 000	C	1	SCREW, SILVER
	CB3-2333-000 000	C	3	SCREW
*	CB3-2334-000 000	C	1	SCREW, SILVER
*	CB3-2335-000 000	C	1	SCREW, SILVER
*	CB3-2453-000 000	C	1	PLATE, MODEL NAME (JPN)
*	CB3-2478-000 000	C	1	PLATE, MODEL NAME (USA), S
*	CB3-2479-000 000	C	1	PLATE, MODEL NAME (USA)
*	CB3-2480-000 000	C	1	PLATE, MODEL NAME (EUR), S
*	CB3-2481-000 000	C	1	PLATE, MODEL NAME (EUR)
*	CG2-1564-000 000	B	1	COVER ASS'Y, FRONT, S
*	CG2-1609-000 000	B	1	COVER ASS'Y, FRONT
*	CY3-1487-000 000	C	1	LABEL, BODY NUMBER, S
*	CY3-1492-000 000	C	1	LABEL, BODY NUMBER

CANON DIGITAL CAMERA EOS KISS DIGITAL N (SILVER)
EOS KISS DIGITAL N (BLACK)
EOS DIGITAL REBEL XT (SILVER)
EOS DIGITAL REBEL XT (BLACK)
EOS 350D DIGITAL (SILVER)
EOS 350D DIGITAL (BLACK)

REF. NO. C12-6071
C12-6072
C12-6073
C12-6074
C12-6075
C12-6076



PARTS LIST

REF.NO. C12-6071, 2, 3, 4, 5, 6

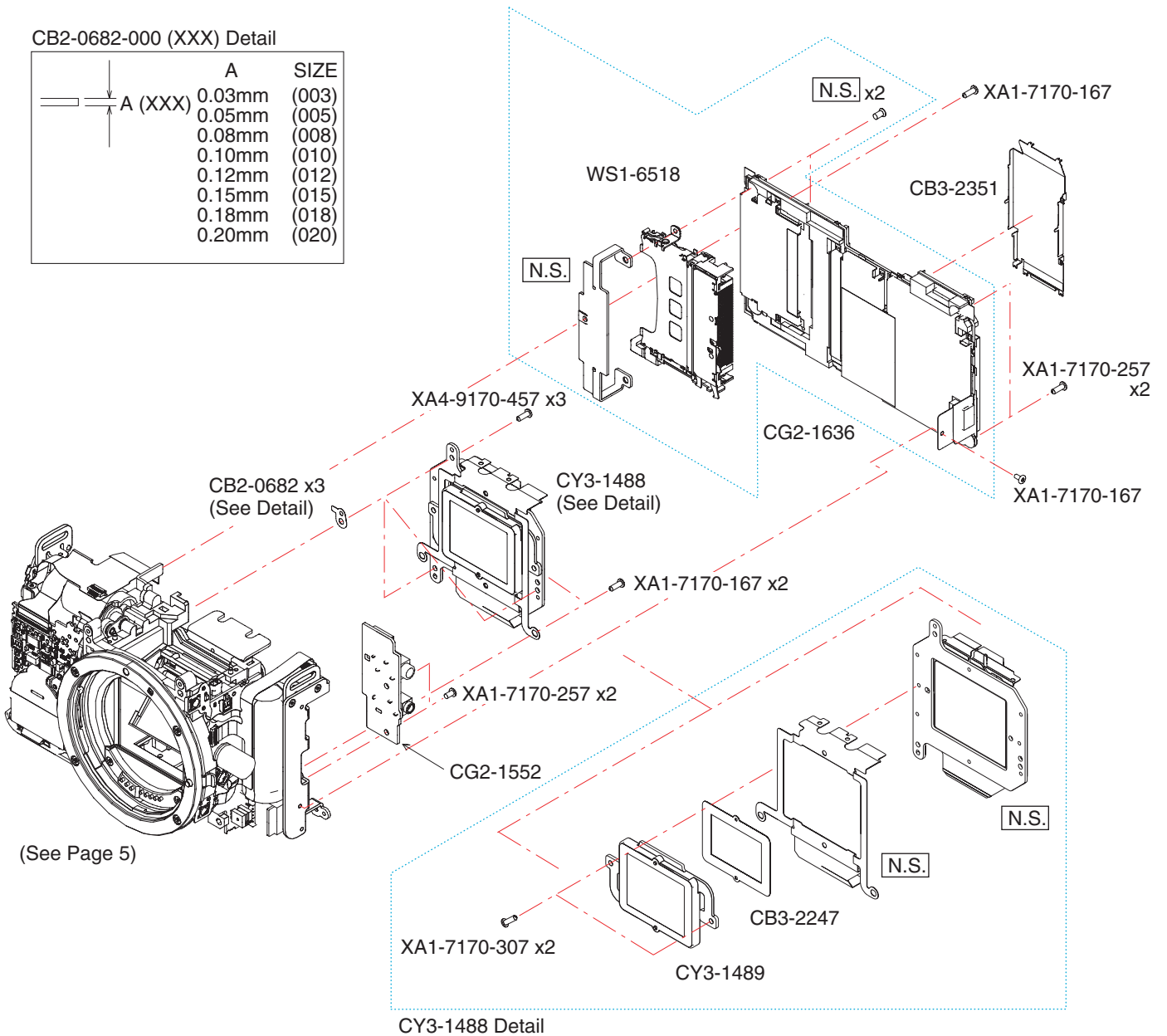
NEW	PARTS No.	CLASS	QTY	DESCRIPTION
	CB1-1902-000 000	F	2	SCREW
	CB3-1086-000 000	F	1	SCREW
	CB3-1815-000 000	F	5	SCREW
*	CB3-2332-000 000	C	5	SCREW, SILVER
*	CB3-2404-000 000	C	1	DIAL, DIOPTER ADJUSTING
*	CG2-1566-000 000	B	1	COVER ASS'Y, TOP, S
*	CG2-1576-000 000	C	1	FINDER UNIT
*	CG2-1597-000 000	B	1	COVER ASS'Y, EYEPIECE
*	CG2-1604-000 000	C	1	AUTO FOCUS UNIT
*	CG2-1605-000 000	C	1	PLATE ASS'Y, TRIPOD SOCKET
*	CG2-1608-000 000	B	1	COVER ASS'Y, TOP
	XA1-3200-307 000	F	2	SCREW
	XA4-9170-457 000	F	3	SCREW
	XA4-9170-607 000	F	2	SCREW
	XA4-9200-507 000	F	2	SCREW

CANON DIGITAL CAMERA EOS KISS DIGITAL N (SILVER)
 EOS KISS DIGITAL N (BLACK)
 EOS DIGITAL REBEL XT (SILVER)
 EOS DIGITAL REBEL XT (BLACK)
 EOS 350D DIGITAL (SILVER)
 EOS 350D DIGITAL (BLACK)

REF. NO. C12-6071
 C12-6072
 C12-6073
 C12-6074
 C12-6075
 C12-6076

CB2-0682-000 (XXX) Detail

A	SIZE
A (XXX) 0.03mm	(003)
0.05mm	(005)
0.08mm	(008)
0.10mm	(010)
0.12mm	(012)
0.15mm	(015)
0.18mm	(018)
0.20mm	(020)



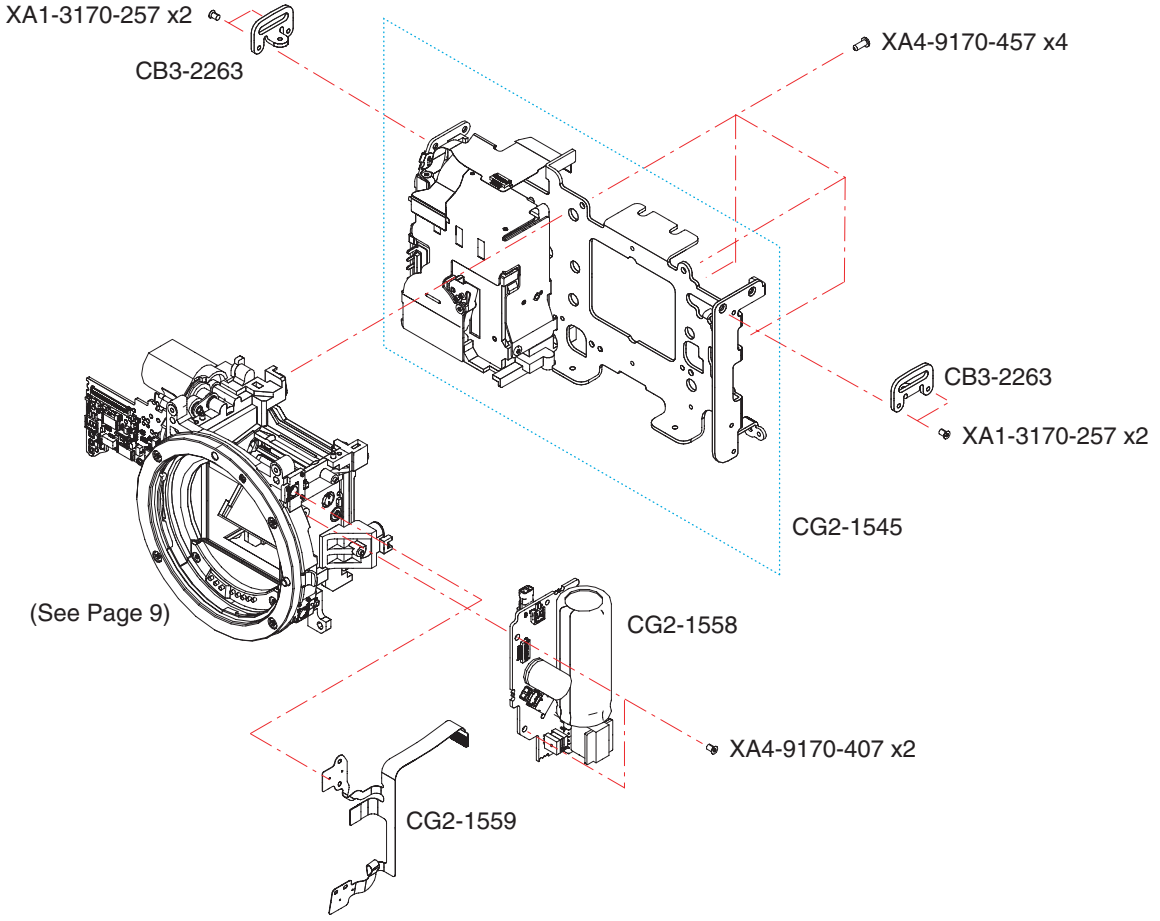
PARTS LIST

REF.NO. C12-6071, 2, 3, 4, 5, 6

NEW	PARTS No.	CLASS	QTY	DESCRIPTION
	CB2-0682-000 (XXX)	C	3	WASHER, FLANGE BACK
*	CB3-2247-000 000	C	1	TAPE, LOW PASS FILTER
*	CB3-2351-000 000	C	1	CASE, MAIN PCB SHIELD
*	CG2-1552-000 000	B	1	PCB ASS'Y, INTERFACE
*	CG2-1636-000 000	A	1	PCB ASS'Y, MAIN
*	CY3-1488-000 000	A	1	PCB ASS'Y, IMAGING PROCESSING
*	CY3-1489-000 000	C	1	FILTER ASS'Y, LOW PASS
	XA1-7170-167 000	F	4	SCREW
	XA1-7170-257 000	F	4	SCREW
	XA1-7170-307 000	F	2	SCREW
	XA4-9170-457 000	F	3	SCREW
	WS1-6518-000 000	C	1	SLOT MODULE, CF

CANON DIGITAL CAMERA EOS KISS DIGITAL N (SILVER)
EOS KISS DIGITAL N (BLACK)
EOS DIGITAL REBEL XT (SILVER)
EOS DIGITAL REBEL XT (BLACK)
EOS 350D DIGITAL (SILVER)
EOS 350D DIGITAL (BLACK)

REF. NO. C12-6071
C12-6072
C12-6073
C12-6074
C12-6075
C12-6076



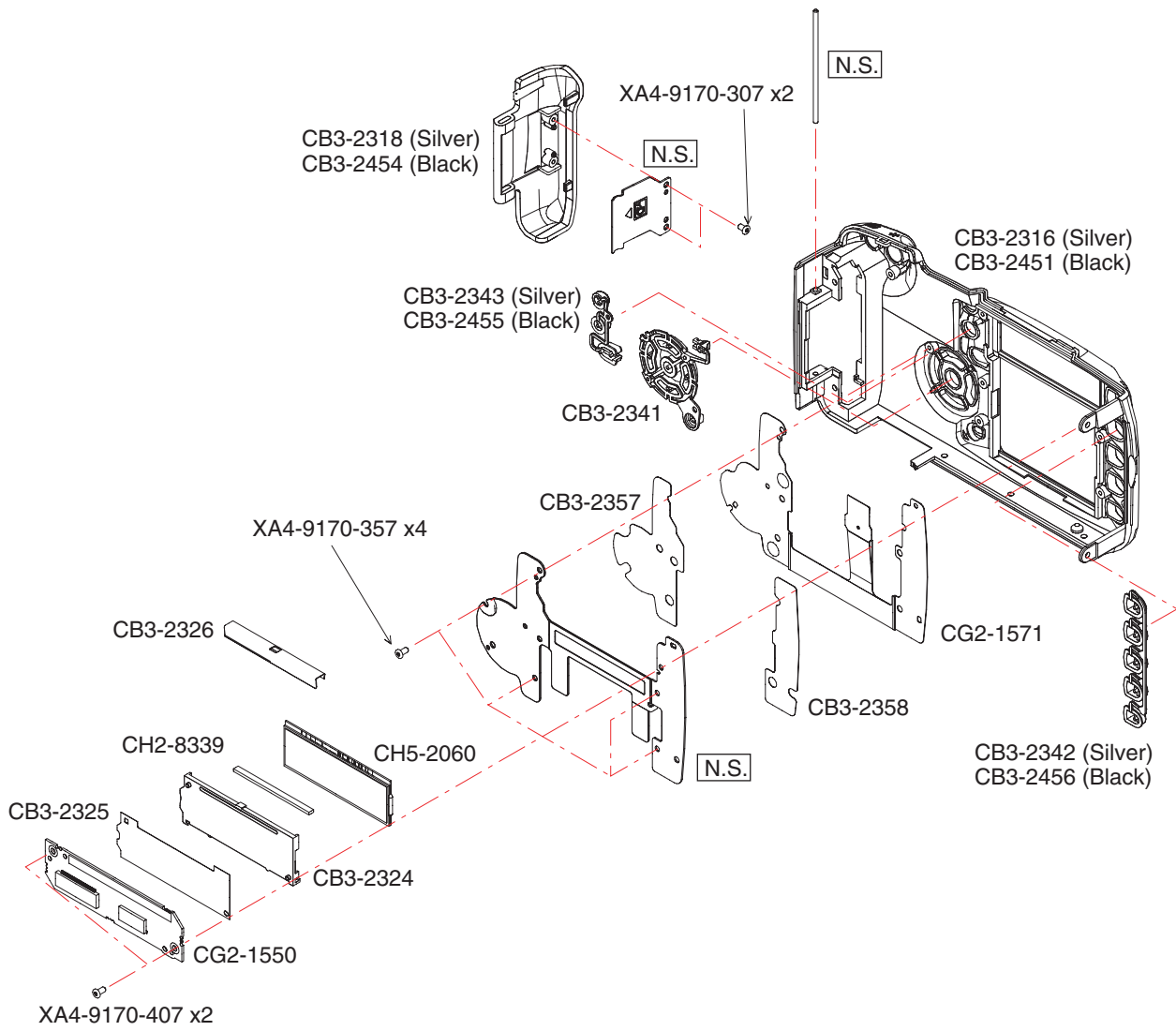
PARTS LIST

REF.NO. C12-6071, 2, 3, 4, 5, 6

NEW	PARTS No.	CLASS	QTY	DESCRIPTION
*	CB3-2263-000 000	C	2	HOLDER, STRAP
*	CG2-1545-000 000	C	1	PLATE ASS'Y, MAIN BASE
*	CG2-1558-000 000	B	1	PCB ASS'Y, FLASH
*	CG2-1559-000 000	B	1	FPC ASS'Y, ST-M CONNECT
	XA1-3170-257 000	F	4	SCREW
	XA4-9170-407 000	F	2	SCREW
	XA4-9170-457 000	F	4	SCREW

CANON DIGITAL CAMERA EOS KISS DIGITAL N (SILVER)
EOS KISS DIGITAL N (BLACK)
EOS DIGITAL REBEL XT (SILVER)
EOS DIGITAL REBEL XT (BLACK)
EOS 350D DIGITAL (SILVER)
EOS 350D DIGITAL (BLACK)

REF. NO. C12-6071
C12-6072
C12-6073
C12-6074
C12-6075
C12-6076



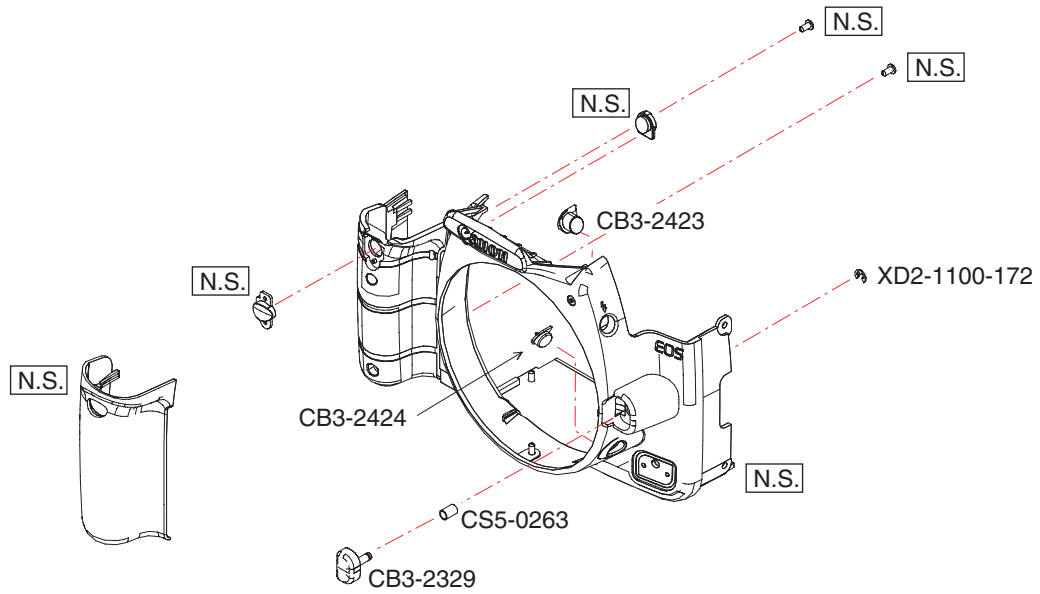
PARTS LIST

REF.NO. C12-6071, 2, 3, 4, 5, 6

NEW	PARTS No.	CLASS	QTY	DESCRIPTION
*	CB3-2316-000 000	C	1	COVER, BACK, S
*	CB3-2318-000 000	C	1	COVER, BACK CF, S
*	CB3-2324-000 000	C	1	PLATE, EXTERNAL LCD GUIDE
*	CB3-2325-000 000	C	1	PLATE, EXTERNAL LCD REFLECT
*	CB3-2326-000 000	C	1	HOLDER, EXTERNAL LCD
* * * * *	CB3-2341-000 000 CB3-2342-000 000 CB3-2343-000 000 CB3-2357-000 000 CB3-2358-000 000	C C C C C	1 1 1 1 1	BUTTON, SET SELECT BUTTON, MENU-ERASE, S BUTTON, AF SELECT, S TAPE, LEFT TAPE, RIGHT
* * * * *	CB3-2451-000 000 CB3-2454-000 000 CB3-2455-000 000 CB3-2456-000 000 CG2-1550-000 000	C C C C C	1 1 1 1 1	COVER, BACK COVER, BACK CF BUTTON, AF SELECT BUTTON, MENU-ERASE PCB ASS'Y, BACK
* * *	CG2-1571-000 000 CH2-8339-000 000 CH5-2060-000 000	C C C	1 1 1	FPC ASS'Y, BACK CONNECTOR, EXTERNAL LCD LCD, EXTERNAL
	XA4-9170-307 000	F	2	SCREW
	XA4-9170-357 000	F	4	SCREW
	XA4-9170-407 000	F	2	SCREW

CANON DIGITAL CAMERA EOS KISS DIGITAL N (SILVER)
EOS KISS DIGITAL N (BLACK)
EOS DIGITAL REBEL XT (SILVER)
EOS DIGITAL REBEL XT (BLACK)
EOS 350D DIGITAL (SILVER)
EOS 350D DIGITAL (BLACK)

REF. NO. C12-6071
C12-6072
C12-6073
C12-6074
C12-6075
C12-6076



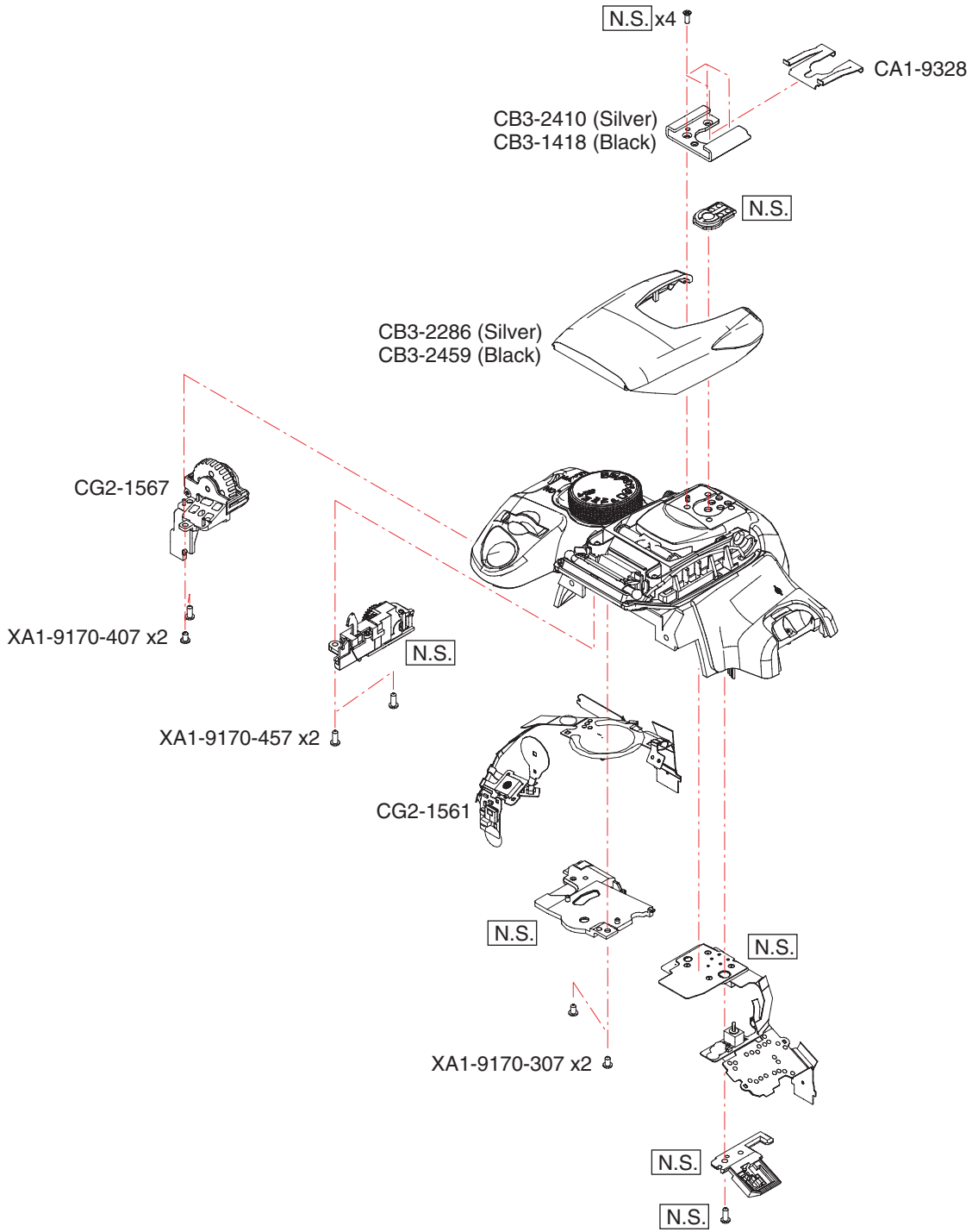
PARTS LIST

REF.NO. C12-6071, 2, 3, 4, 5, 6

NEW	PARTS No.	CLASS	QTY	DESCRIPTION
*	CB3-2329-000 000	C	1	BUTTON, UNLOCK
*	CB3-2423-000 000	C	1	BUTTON, POP UP
*	CB3-2424-000 000	C	1	BUTTON, PREVIEW
*	CS5-0263-000 000	C	1	SPRING, UNLOCK BUTTON
	XD2-1100-172 000	F	1	RETAINING RING

CANON DIGITAL CAMERA EOS KISS DIGITAL N (SILVER)
EOS KISS DIGITAL N (BLACK)
EOS DIGITAL REBEL XT (SILVER)
EOS DIGITAL REBEL XT (BLACK)
EOS 350D DIGITAL (SILVER)
EOS 350D DIGITAL (BLACK)

REF. NO. C12-6071
C12-6072
C12-6073
C12-6074
C12-6075
C12-6076



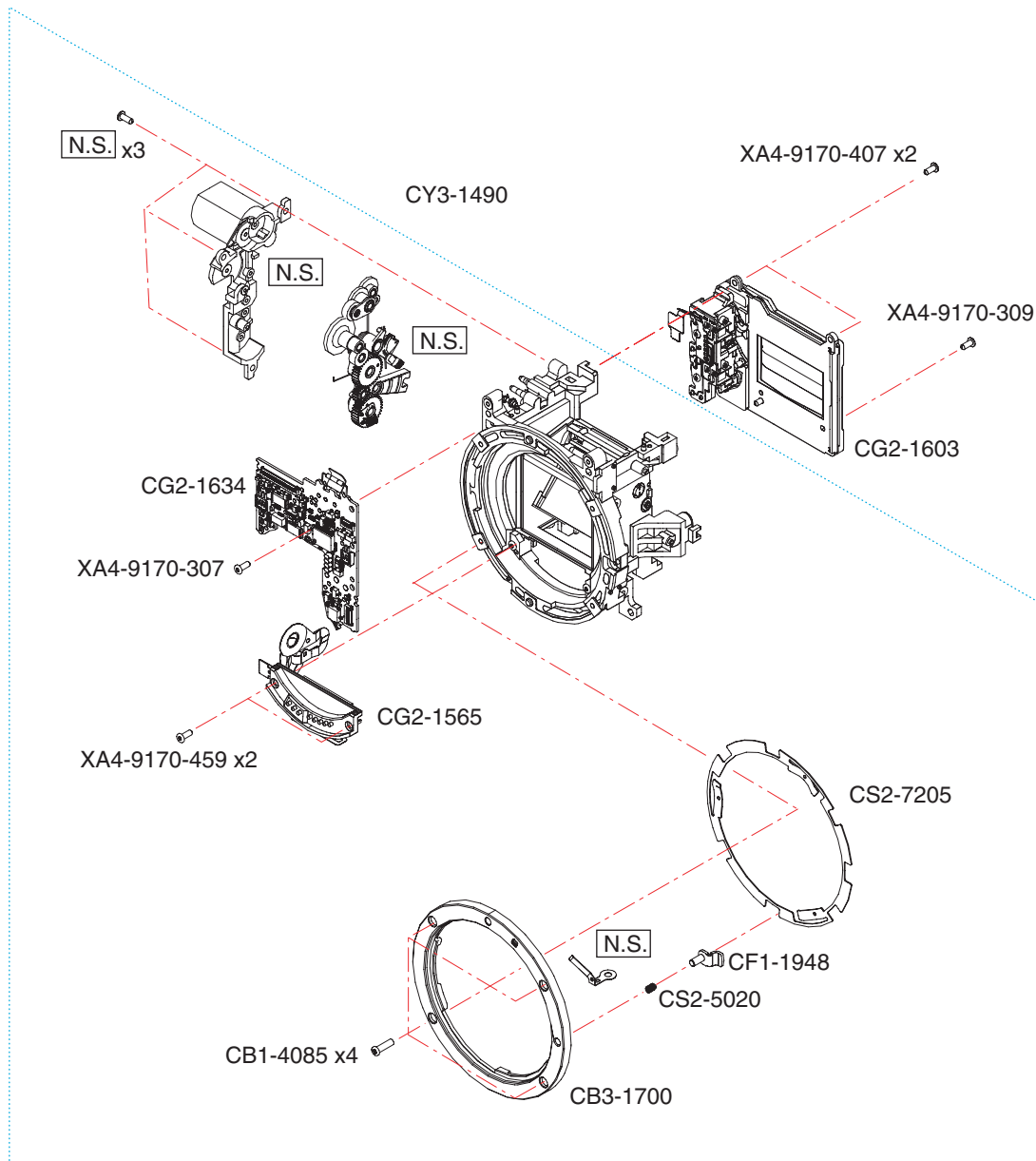
PARTS LIST

REF.NO. C12-6071, 2, 3, 4, 5, 6

NEW	PARTS No.	CLASS	QTY	DESCRIPTION
	CA1-9328-000 000	C	1	SPRING, PLATE (BL)
	CB3-1418-000 000	C	1	SHOE, ACCESSORY
*	CB3-2286-000 000	C	1	COVER, FLASH, S
*	CB3-2410-000 000	C	1	SHOE, ACCESSORY, S
*	CB3-2459-000 000	C	1	COVER, FLASH
	CG2-1561-000 000	C	1	FPC ASS'Y, MAIN SWITCH
*	CG2-1567-000 000	C	1	DIAL ASS'Y, MAIN
	XA1-9170-307 000	F	2	SCREW
	XA1-9170-407 000	F	2	SCREW
	XA1-9170-457 000	F	2	SCREW

CANON DIGITAL CAMERA EOS KISS DIGITAL N (SILVER)
EOS KISS DIGITAL N (BLACK)
EOS DIGITAL REBEL XT (SILVER)
EOS DIGITAL REBEL XT (BLACK)
EOS 350D DIGITAL (SILVER)
EOS 350D DIGITAL (BLACK)

REF. NO. C12-6071
C12-6072
C12-6073
C12-6074
C12-6075
C12-6076



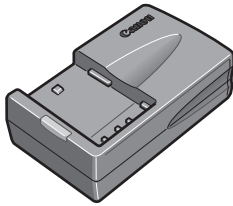
PARTS LIST

REF.NO. C12-6071, 2, 3, 4, 5, 6

NEW	PARTS No.	CLASS	QTY	DESCRIPTION
	CB1-4085-000 000	F	4	SCREW
	CB3-1700-000 000	C	1	MOUNT
	CF1-1948-000 000	C	1	LEVER ASS'Y, LENS LOCK
*	CG2-1565-000 000	C	1	BASE ASS'Y, CONTACT
*	CG2-1603-000 000	A	1	SHUTTER UNIT
*	CG2-1634-000 000	B	1	PCB ASS'Y, MOTOR DRIVE
	CS2-5020-000 000	E	1	SPRING, COIL
	CS2-7205-000 000	D	1	SPRING, MOUNT
*	CY3-1490-000 000	B	1	MIRROR BOX ASS'Y
	XA4-9170-307 000	F	1	SCREW
	XA4-9170-309 000	F	1	SCREW
	XA4-9170-407 000	F	2	SCREW
	XA4-9170-459 000	F	2	SCREW

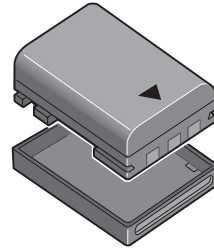
Accessories

Battery Charger CB-2LT



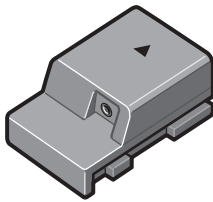
N.S (Product Available)

Battery Pack NB-2LH



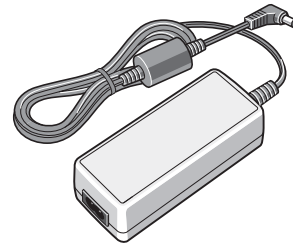
N.S (Product Available)

DC Coupler DR-700



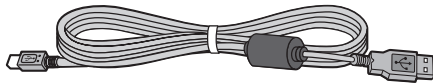
C84-1078

Compact Power Adapter CA-PS700



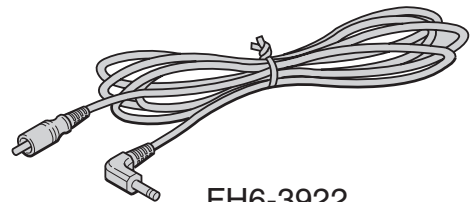
N.S (Product Available)

Interface Cable IFC-400 PCU(USB)



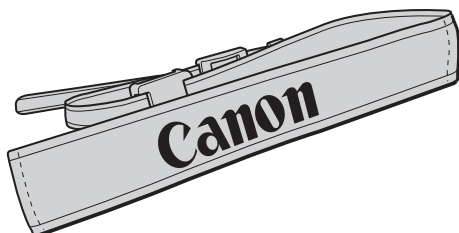
N.S (Product Available)

Video Cable VC-100



FH6-3922

Wide Strap EW-100DB II



BATTERY CHARGER CB-5L

REF.NO.C84-1078-000

NEW	PARTS NO.	CLASS	QTY	DESCRIPTION
*	C84-1078-000	B	1	DC COUPLER DR-700

VIDEO CABLE VC-100

REF.NO.FH6-3922

NEW	PARTS NO.	CLASS	QTY	DESCRIPTION
	FH6-3922-000	C	1	VIDEO CABLE VC-100

ELECTRIC PARTS LIST

REF.NO.C12-6071,2,3,4,5,6

NEW	PARTS NO.	CLASS	QTY	DESCRIPTION
*	CH2-8321-000	C	1	WIRE ASS'Y, LEAD MD-MAIN
*	CH2-8322-000	C	1	WIRE ASS'Y, LEAD MD-ST
*	CH2-8326-000	C	1	WIRE ASS'Y, LEAD MAIN-IF

INDEX OF PARTS LIST

REF.NO. C12-6071, 2, 3, 4, 5, 6

NEW	PARTS NO.	PAGE	NEW	PARTS NO.	PAGE
*	C84-1078-000	10	*	CB3-2423-000	7
	CA1-9328-000	8	*	CB3-2424-000	7
	CB1-1902-000	3	*	CB3-2449-000	1
	CB1-4085-000	9	*	CB3-2451-000	6
	CB2-0682-000	4	*	CB3-2453-000	2
	CB3-1086-000	3	*	CB3-2454-000	6
*	CB3-1339-000	1	*	CB3-2455-000	6
	CB3-1418-000	8	*	CB3-2456-000	6
	CB3-1700-000	9	*	CB3-2459-000	8
	CB3-1815-000	2,3	*	CB3-2468-000	1
	CB3-2112-000	1,2	*	CB3-2478-000	2
	CB3-2114-000	2	*	CB3-2479-000	2
	CB3-2115-000	2	*	CB3-2480-000	2
*	CB3-2232-000	1	*	CB3-2481-000	2
*	CB3-2247-000	4		CF1-1948-000	9
*	CB3-2263-000	5	*	CG2-1545-000	5
*	CB3-2286-000	8	*	CG2-1550-000	6
*	CB3-2316-000	6	*	CG2-1552-000	4
*	CB3-2317-000	1	*	CG2-1558-000	5
*	CB3-2318-000	6	*	CG2-1559-000	5
*	CB3-2319-000	1	*	CG2-1561-000	8
*	CB3-2320-000	1	*	CG2-1563-000	1
*	CB3-2321-000	1	*	CG2-1564-000	2
*	CB3-2322-000	1	*	CG2-1565-000	9
*	CB3-2323-000	1	*	CG2-1566-000	3
*	CB3-2324-000	6	*	CG2-1567-000	8
*	CB3-2325-000	6	*	CG2-1571-000	6
*	CB3-2326-000	6	*	CG2-1576-000	3
*	CB3-2329-000	7	*	CG2-1597-000	3
*	CB3-2331-000	2	*	CG2-1603-000	9
*	CB3-2332-000	2,3	*	CG2-1604-000	3
	CB3-2333-000	2	*	CG2-1605-000	3
*	CB3-2334-000	1,2	*	CG2-1606-000	1
*	CB3-2335-000	2	*	CG2-1607-000	1
*	CB3-2337-000	1	*	CG2-1608-000	3
*	CB3-2341-000	6	*	CG2-1609-000	2
*	CB3-2342-000	6	*	CG2-1610-000	1
*	CB3-2343-000	6	*	CG2-1634-000	9
*	CB3-2348-000	1	*	CG2-1636-000	4
*	CB3-2351-000	4	*	CG2-1639-000	1
*	CB3-2357-000	6	*	CH1-8319-000	1
*	CB3-2358-000	6	*	CH2-8321-000	10
*	CB3-2392-000	1	*	CH2-8322-000	10
*	CB3-2404-000	3	*	CH2-8326-000	10
*	CB3-2410-000	8	*	CH2-8339-000	6

INDEX OF PARTS LIST

REF.NO. C12-6071, 2, 3, 4, 5, 6

NEW	PARTS NO.	PAGE	NEW	PARTS NO.	PAGE
*	CH5-2060-000	6			
	CS2-5020-000	9			
	CS2-7205-000	9			
*	CS5-0263-000	7			
*	CY3-1487-000	2			
*	CY3-1488-000	4			
*	CY3-1489-000	4			
*	CY3-1490-000	9			
*	CY3-1492-000	2			
	FH6-3922-000	10			
	WS1-6518-000	4			
	XA1-3170-257	5			
	XA1-3200-307	3			
	XA1-7170-167	4			
	XA1-7170-257	4			
	XA1-7170-307	4			
	XA1-9170-307	8			
	XA1-9170-407	8			
	XA1-9170-457	8			
	XA4-9170-307	6,9			
	XA4-9170-309	9			
	XA4-9170-357	6			
	XA4-9170-407	5,6,9			
	XA4-9170-457	3,4,5			
	XA4-9170-459	9			
	XA4-9170-607	3			
	XA4-9200-507	3			
	XD2-1100-172	7			
*	YN2-3472-000	1			